

INVERTER

2 & 3-4 Rooms Multi

2 ROOMS



CLASS ALL
A DC

AOYG14LAC2 **NEW**
AOYG18LAC2 **NEW**

3 ROOMS



CLASS ALL
A DC

AOYG18LAT3 **NEW**
AOYG24LAT3 **NEW**

4 ROOMS



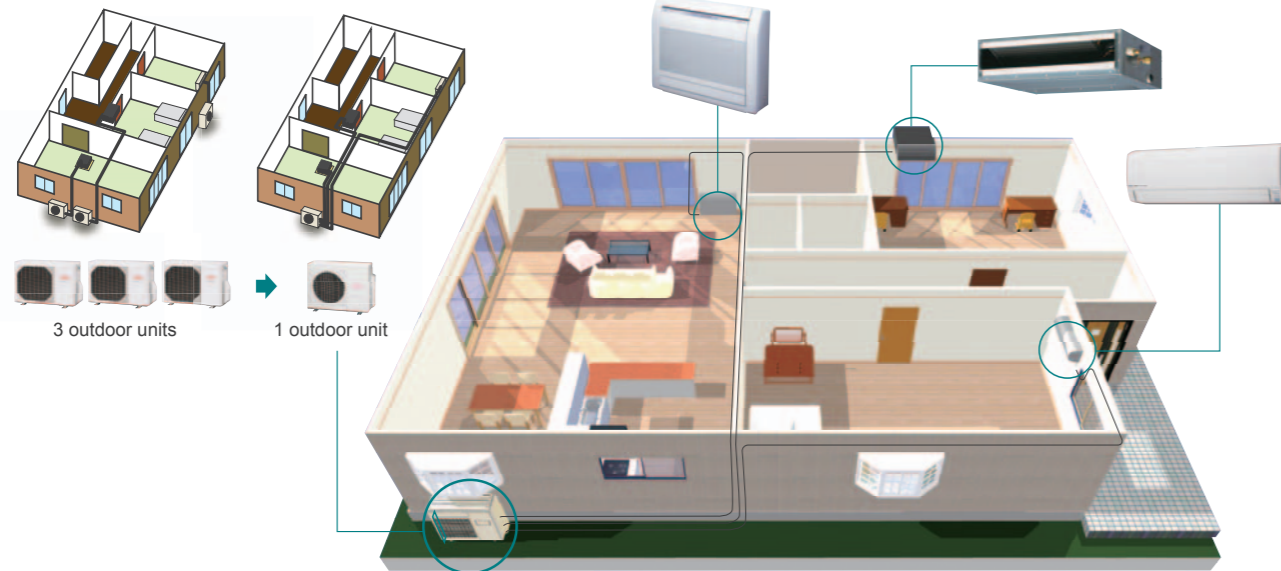
CLASS ALL
A DC

AOYG30LAT4 **NEW**

Space-saving installation

Multiple indoor units can be connected to 1 outdoor unit, and long piping connection is also possible. Compared with single type, the outdoor unit can be installed in various places to realize the space-saving installation.

Ex.) Single type installation Multi type installation



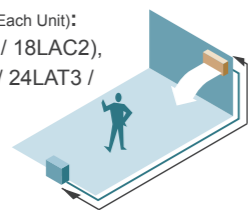
Wide range of indoor units with various models

6 types, 20 models are lined up in the capacity range from 2kW to 7kW class. The wide-ranging needs can be met from the private room of residence or hotel to large shop.

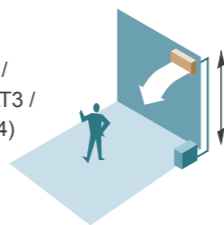
Flexible installation

Up to max. piping length 70m (AOYG30LAT4), max. height difference 15m can be supported. Multi type can be installed at large-size residence or multiple floors.

Max.Piping Length (Each Unit):
20m (AOYG14LAC2 / 18LAC2),
25m (AOYG18LAT3 / 24LAT3 /
30LAT4)



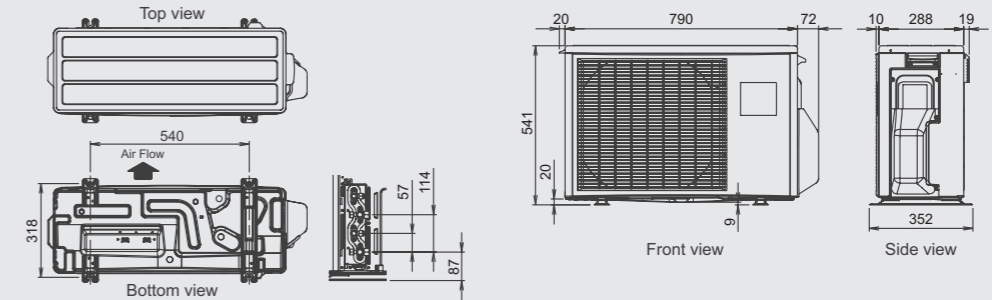
Max.Height:
15m (AOYG14LAC2 /
18LAC2 / 18LAT3 /
24LAT3/30LAT4)



Total Piping Length:
30m (AOYG14LAC2 / 18LAC2),
50m (AOYG18LAT3 / 24LAT3),
70m (AOYG30LAT4)

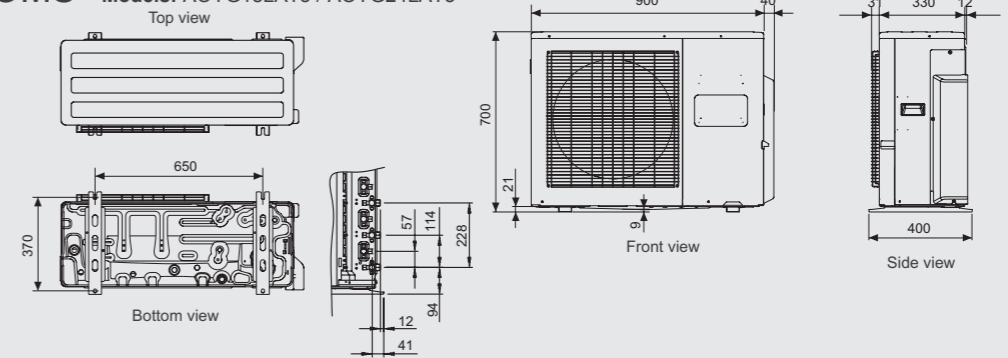
2 ROOMS

Model: AOYG14LAC2 / AOYG18LAC2



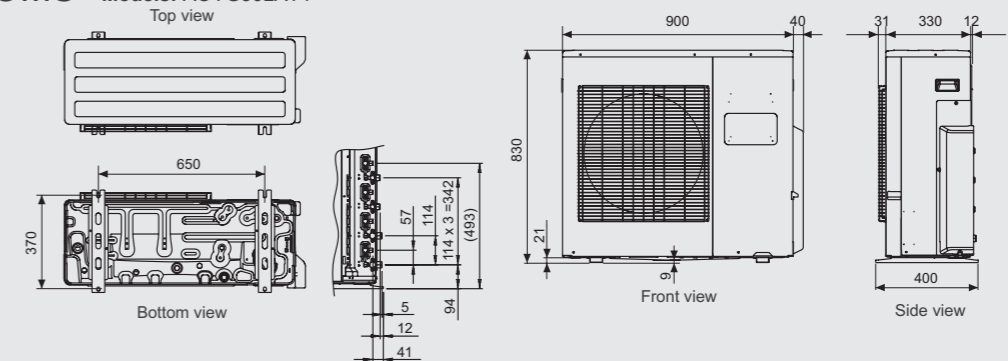
3 ROOMS

Models: AOYG18LAT3 / AOYG24LAT3



4 ROOMS

Models: AOYG30LAT4



SPECIFICATIONS (2 ROOMS, 3 ROOMS, 4 ROOMS)

Model No.	Outdoor unit		AOYG14LAC2	AOYG18LAC2	AOYG18LAT3	AOYG24LAT3	AOYG30LAT4
Power Source	V/∅/Hz		230/1/50	230/1/50	230/1/50	230/1/50	230/1/50
Rated Capacity (min-max)	Cooling	kW	4.0(1.4~4.4)	5.0(1.7~5.6)	5.4(1.8~6.8)	6.8(1.8~7.8)	8.0(3.5~10.0)
	Heating	kW	4.4(1.1~5.4)	5.6(1.8~6.1)	6.8(2.0~7.7)	8.0(2.0~8.0)	9.6(3.7~11.3)
Noise	Cooling	dB(A)	47	50	46	48	50
	Heating	dB(A)	49	51	47	49	51
Net Dimension	H x W x D	mm	540x790x290	540x790x290	700x900x330	700x900x330	830x900x330
Weight		kg(lbs)	37(82)	38(84)	55(121)	55(121)	68(150)
Connection pipe	Piping Connections	Small (Liquid)	∅6.35x2	∅6.35x2	∅6.35x3	∅6.35x3	∅6.35x4 (*∅6.35x3, ∅9.52)
		Large (Gas)	∅9.52x2	∅9.52x2 (*∅9.52, ∅12.7)	∅9.52x2, ∅12.7 (*∅9.52x3)	∅9.52x2, ∅12.7 (*∅9.52x3)	∅9.52x2, ∅12.7x2 (*∅9.52x3, ∅12.7) (*∅9.52x2, ∅12.7, ∅15.88)
Max. length	Max. Height Difference	Total / Each	30 / 20	30 / 20	50 / 25	50 / 25	70 / 25
		Between Outdoor Unit and Each Indoor Units.	15	15	15	15	15
Operation Range	Refrigerant	Between Indoor Units.	10	10	10	10	10
		Cooling	10~46	10~46	-10~46	-10~46	0~46
		Heating	-15~24	-15~24	-15~24	-15~24	-10~24
			R410A	R410A	R410A	R410A	R410A

* Connect to connection valve by the adapter.